

Vasthi Single Gas Monitor / Analyzer

**Vasthi Single Gas Monitor/analyzer
With Alarm and Graphical display.**



Vasthi Single Gas Monitor/Analyzer

Vasthi Single gas detector is a device which detects the presence of any gas within an area, usually as part of a safety system. This type of equipment is used to detect a gas leak and interface with a control system so a process can be automatically shut down. This gas detector can also sound an alarm to operators in the area where the leak is occurring, giving them the opportunity to leave the area. This type of device is important owing to the fact that there are many gases that can be harmful to organic life, such as humans or animals.

Vasthi Single Gas detectors

individually we can provide gas detectors for the following gases.

- OXYGEN
- COMBUSTIBLE GASES
- LPG
- HEXANE
- HYDROGEN
- CARBON MONOXIDE
- HYDROGEN SULPHIDE
- CHLORINE
- SULPHUR DIOXIDE
- AMMONIA
- HYDROGENCHLORIDE
- HYDROGEN CYNIDE
- NITRIC OXIDE
- NITROGEN DIOXIDE
- ETHYLENE
- OXIDE
- PHOSPHINE
- PHOSGENE
- OZONE
- AND MANY MORE

The above mentioned Gas detectors can be used to detect combustibile, flammable and toxic gases as well as oxygen depletion. This type of device is used widely in industry and can found in a variety of locations such as on oil rigs, to monitor manufacture processes and emerging technologies such as photovoltaic.

Applications

Vasthi Single Gas Monitor/Analyzer

- Chemical
- Food & Beverage
- Aviation
- Automotive
- Insecticide
- Oil & Gas
- Power Generation
- Pulp & Paper
- Semiconductor
- Heat Treating
- Ozone Generation
- Environmental
- Aerospace
- Military
- Water & Wastewater
- Personal Safety
- Steel

Services by Vasthi: -

- Evaluation
- Custom Designs
- Calibration & Certification
- Repair
- Plant visiting

Special Features of Vasthi Gas Monitors / Analyzers: -

- Microprocessor based portable battery operated instrument.
- Digital Graphical Display Measuring ranges available on client requirement.
- Handy and light weight.
- Inbuilt sensor.
- Optional RS - 232 computer interface & data logger.

ADDITIONAL FEATURES (OPTIONAL)

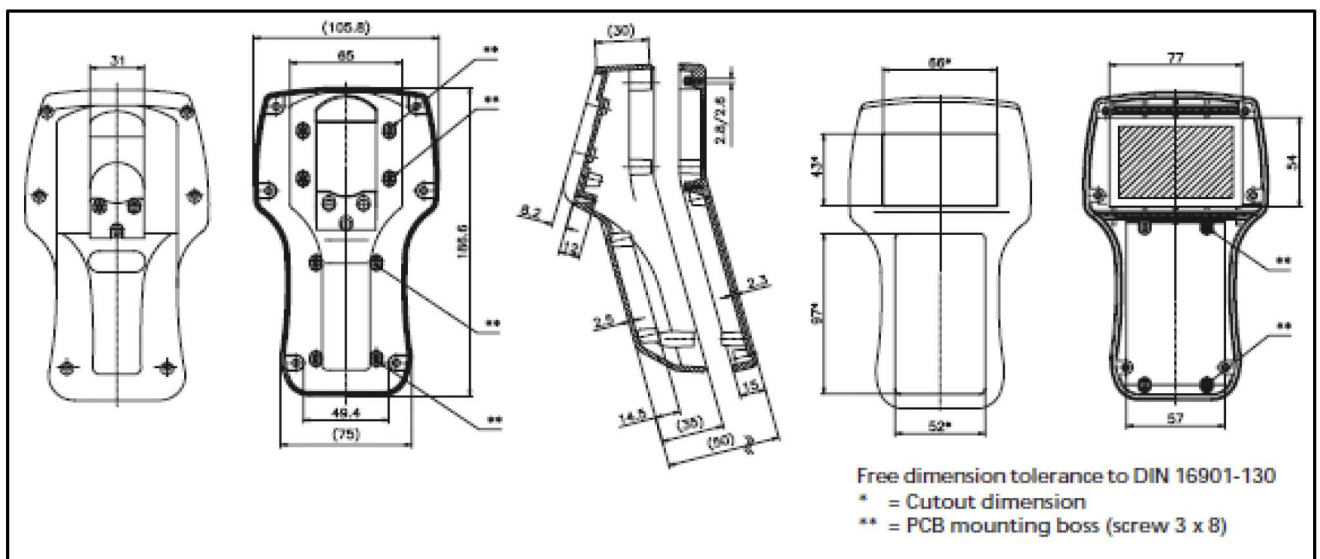
Computer Interface: RS-232

Data Logger: 1 Megabyte, Non-Volatile Memory

In- built Pump: For Auto Suction

Vasthi Single Gas Monitor/Analyzer

GA DRAWING



Specifications

Sensor Principle	: As per the required gas
Display	: 128 X 64 Pixels Graphical LCD
Power	: Single cell lithium ion Battery with In-built charge control
Weight	: 445 grams (approx.)
Dimensions	: Refer to GA Drawing
Temperature Range	: 0 - 55 Deg. C.
Warranty	: One year
Degree of Protection	: IP - 65